



CW-18 (CWO-1800) Circle Welder

For welding diameters from 10" to 50"
(250 - 1270 mm) O.D.

Use with 3 jaw expandable chuck
or manipulator.

Features:

Wire feeder with one set of drive rolls.

DC drive motor and speed control for rotation.

Meter kit with 0-50 DC volt meter, 0-600 DC amp meter.

Gun and cable assembly

Nozzle flux cone.

Burnback control.

50 ft. (15 m) control cable.

Weld switch, manual - automatic.

Cold wire inch switch.

Wire direction switch.

Torch angle adjustor.

Flux hopper with gate valve.

60 lbs. (27 kg) wire reel.

Horizontal and Vertical adjustment by rack and pinion.

Rise and fall slide assembly.

Rise and fall cam with 7" (175 mm) of travel.

Brushes and collector rings for welding current,
rated at 600 amps 100% duty cycle.

Technical Data:

CW-18 (CWO-1800)

| | |
|-------------------------|------------------------|
| Input Voltage: | 115 VAC |
| Duty Cycle: | 100% |
| Amperage: | 0-600 amps |
| Voltage: | 0-50 |
| Wire Sizes: | .035-.7/32 (0.8-5.6mm) |
| Rotation Speed: | .06-.72 rpm |
| Cam Range: | 0"-7" (0-175 mm) |
| Welding Radius: | 0"-25" (0-635 mm) |
| Shielding Gas: | Solenoid Control |
| Height: | 43" (1092 mm) |
| Net Weight: | 360lbs. (163.6 kg) |
| Shipping Weight: | 490 lbs. (222.3 kg) |

The CW-18 may be used with any constant voltage power source
with connections for 115 VAC and weld contactor.

Options:

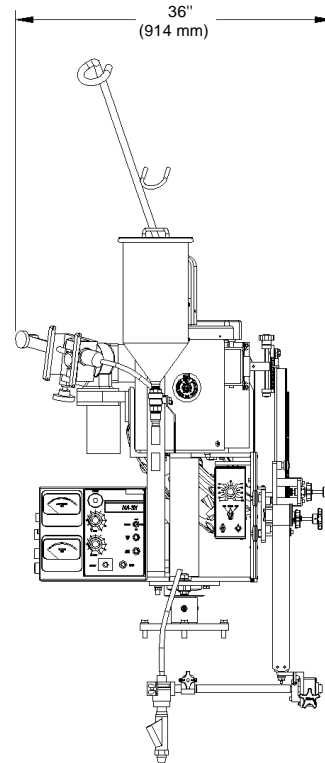
Horizontal and vertical adjustment may be
motorized.

Gas option for MIG and flux cored welding is available.

Three jaw expandable chucks.

Flux Recovery System.

SIDE ELEVATION



FRONT ELEVATION

